

## Short Description



- Nickel plated alloy steel IP68 dual shear beam load cell
- High accuracy
- Suitable for truck, track, hopper and other electronic weighing devices
- Current calibrated (SC-option)



Test certificate no. TC12331 Revision 0  
C of C no R60/2017-A-NL1-22.07 Rev. 0

## Available Models

Capacity	Accuracy	Full Article Description
10t	C3	HM9B-C3-10t-12B-2-FH
20t	C3	HM9B-C3-20t-12B-2-FH
25t	C3	HM9B-C3-25t-20B(-SC) -2-FH
30t	C3	HM9B-C3-30t-20B(-SC) -2-FH
40t	C3	HM9B-C3-40t-16B-2-FH
50t	C3	HM9B-C3-50t-16B-2-FH

Specifications and dimensions are subject to change without notice and do not constitute any liability whatsoever.

## Technical Specifications HM9B

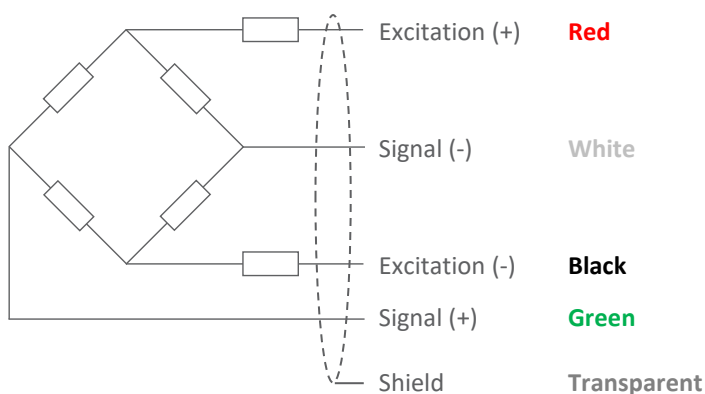
Accuracy Class		OIML R60 C3		
Output Sensitivity ( = FS )	mV/V	2.0 ± 0.002		
Maximum Capacity ( E <sub>max</sub> )	t	10, 20, 25	30, 40, 50	
Max. Number of Load Cell Intervals	n <sub>LC</sub>	3000		
Ratio of min. LC Verification Interval	Y = E <sub>max</sub> / V <sub>min</sub>	15000	7500	
Combined Error	%FS	≤± 0.02		
Creep Error (30 minutes)	%FS	≤± 0.02		
Temperature Effect on Zero (ZTC)	%FS/10°C	≤± 0.02		
Temperature Effect on Sensitivity (STC)	%FS/10°C	≤± 0.02		
Zero Balance	%FS	≤± 1.5		
Safe Overload	%FS	150		
Ultimate Overload	%FS	300		
Excitation, Recommended Voltage	V	5 ~ 12		
Excitation, Maximum Voltage	V	18		
Input Resistance	Ω	700 ± 7		
Output Resistance	Ω	703 ± 4		
Insulation Resistance (50V)	MΩ	≥5000		
Compensated Temperature	°C	-10 ~ + 40		
Operating Temperature	°C	-35 ~ + 65		
Storage Temperature	°C	-40 ~ + 70		
Load Cell Weight	kg	10t: 15	20t – 40t: ~17	50t: 25
Element Material		Nickel plated alloy steel		
Ingress Protection (acc. to EN 60529)		IP68		
Recommended Torque on Fixation Bolts	Nm	M16: 250	M20: 500	
ATEX Classification (optional)		II 1G Ex ia IIC T4 Ga	II 1D Ex ia IIIC T <sub>200</sub> 135°C Da	II 3G Ex ic IIC T4 Gc

## Wiring

### Features:

Cable type: Shielded, 4 conductor cable , conductor AWG 24  
 Cable diameter: Ø 5.5mm  
 Cable length: 16m (standard), 12m & 20m lengths also available  
 Cable jacket: PVC  
 Shield not connected to element

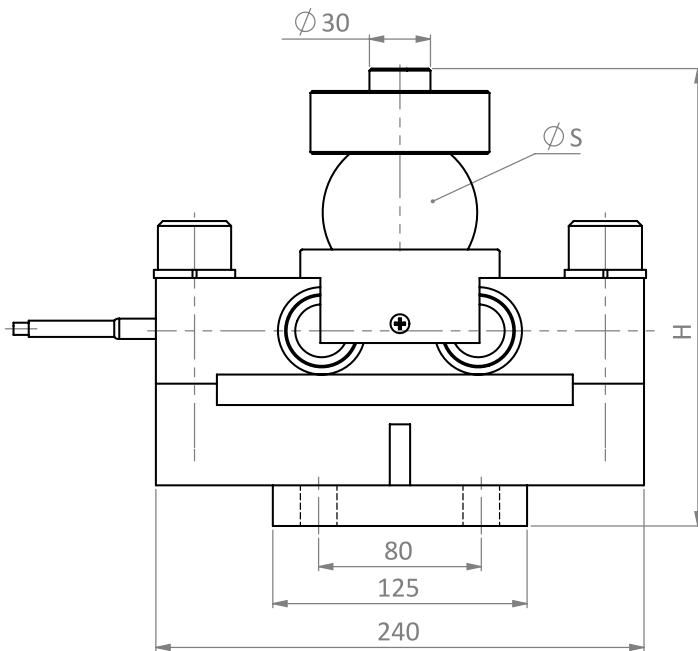
### 4-Wire Connection Diagram



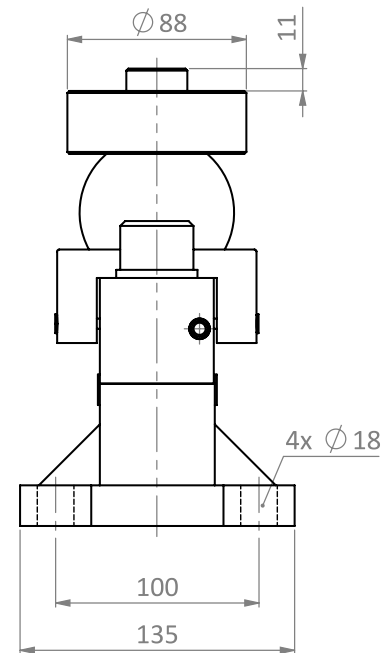
Specifications and dimensions are subject to change without notice and do not constitute any liability whatsoever.

## Dimensions in mm

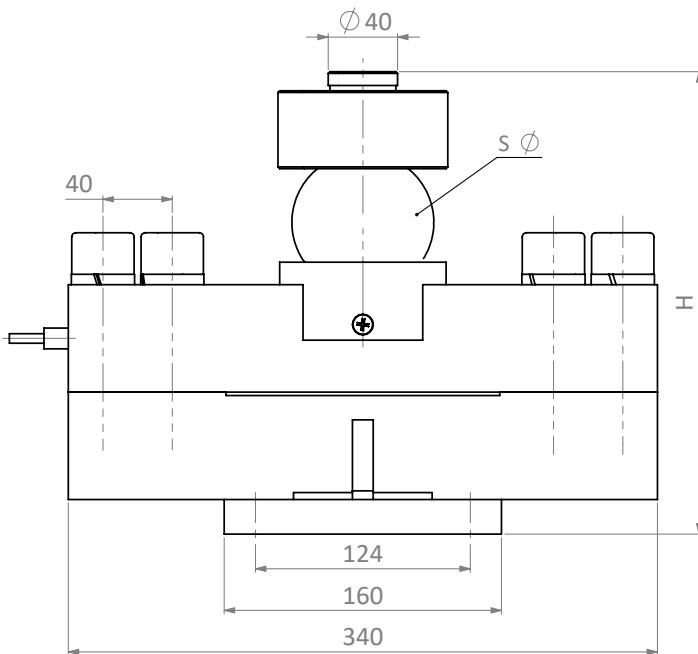
### 10t – 40t Front View



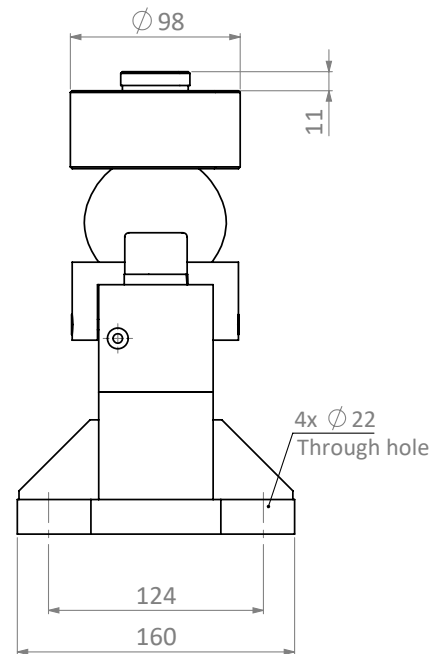
### Side View



### 50t Front View



### Side View



Dimension Capacity	H	ØS
10t	195	50
20t-40t	225	76
50t	267	82

Specifications and dimensions are subject to change without notice and do not constitute any liability whatsoever.