



## Short Description



- Nickel plated alloy steel IP67 spoke type load cell
- High accuracy
- Suitable for hanging, hopper and other electronic weighing devices

## Available Models

Capacity	Accuracy	Full Article Description
1t	C1/C2/C3	H2F-C1/C2/C3-1t-3T6
2t	C1/C2/C3	H2F-C1/C2/C3-2t-3T6
3t	C1/C2/C3	H2F-C1/C2/C3-3t-3T6
5t	C1/C2	H2F-C1/C2-5t-4T6
10t	C1	H2F-C1-10t-4T6
10t	C2	H2F-C2-10t-5T6
15t	C1	H2F-C1-15t-5T6
20t	C1	H2F-C1-20t-5T6
30t	C1	H2F-C1-30t-5T6
50t	C1	H2F-C1-50t-5T6

## Technical Specifications H2F

Accuracy Class		C1	C2	C3			
Output Sensitivity ( = FS )	mV/V	2.0 ± 0.01					
Maximum Capacity ( E <sub>max</sub> )	t	1, 2, 3, 5, 10, 15, 20, 30, 50	1, 2, 3, 5, 10	1, 2, 3			
Max. Number of Load Cell Intervals	n <sub>LC</sub>	1000	2000	3000			
Ratio of min. LC Verification Interval	$Y = E_{max} / V_{min}$	3000	5000	7500			
Combined Error	%FS	≤± 0.050	≤± 0.030	≤± 0.020			
Creep Error (30 minutes)	%FS	≤± 0.038	≤± 0.023	≤± 0.016			
Temperature Effect on Zero (ZTC)	%FS/10°C	≤± 0.047	≤± 0.029	≤± 0.011			
Temperature Effect on Sensitivity (STC)	%FS/10°C	≤± 0.028	≤± 0.017	≤± 0.019			
Zero Balance	%FS	≤± 1.0					
Safe Overload	%FS	150					
Ultimate Overload	%FS	300					
Excitation, Recommended Voltage	V	5 ~ 12					
Excitation, Maximum Voltage	V	18					
Input Resistance	Ω	770 ± 30					
Output Resistance	Ω	700 ± 7					
Insulation Resistance (50V)	MΩ	≥5000					
Compensated Temperature	°C	-10 ~ + 40					
Operating Temperature	°C	-35 ~ + 65					
Storage Temperature	°C	-40 ~ + 70					
Load Cell Weight	kg	1t - 5t: ~2.2	10t: 6.2	15t: 7.5	20t: 11.2	30t: 16.5	50t: 21.5
Element Material		Alloy Steel					
Ingress Protection (acc. to EN 60529)		IP67					
Recommended Torque on Fixation Bolts	Nm	M8: 25	M10: 50	M12: 75			

## Wiring

### Features:

Cable type: Shielded, 6 conductor cable , conductor AWG 24

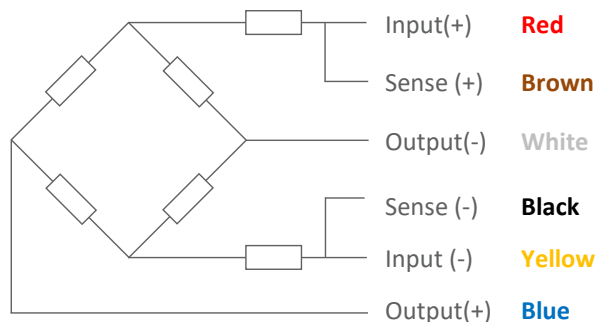
Cable diameter: Ø 5.0mm

Cable length: 1t – 3t: 3m, 5t – 10t: 4m, 15t – 50t: 5m

Cable jacket: PVC

Shield not connected to element

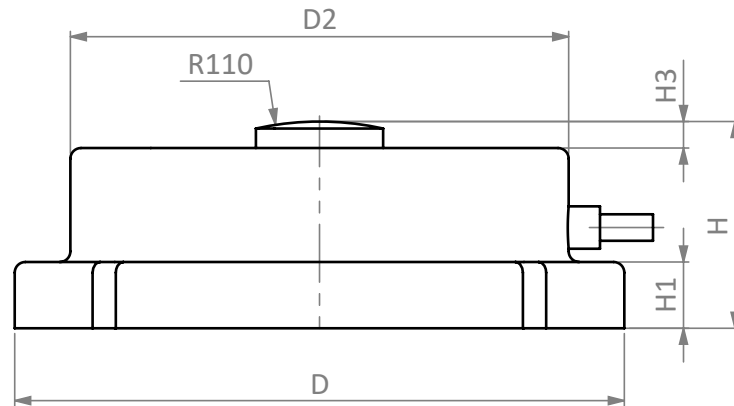
### 6-Wire Connection Diagram



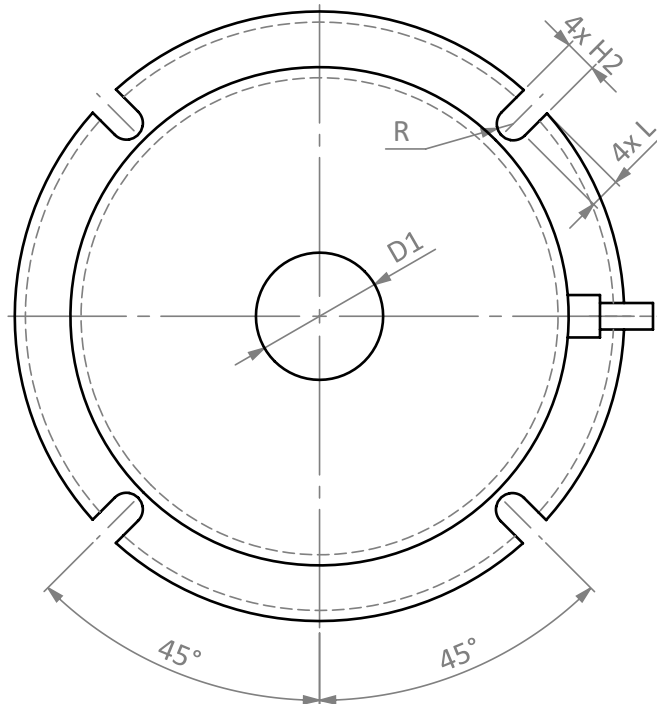
Specifications and dimensions are subject to change without notice and do not constitute any liability whatsoever.

## Dimensions in mm

### Front View



### Top View



Dimension Capacity	D	D1	D2	H	H1	H2	H3	L	R
1t	115	22	86	43	12	8.4	5	8	4.2
2t	120	26	90	45	12	8.4	5	8	4.2
3t	128	20	100	46	8	10.4	5	7	5.2
5t	128	20	100	46	8	10.4	5	7	5.2
10t	160	40	120	63	15	10.4	10	10	5.2
15t	194	42	154	68	20	12.4	10	12	6.2
20t	220	44	170	73	22	12.4	10	12	6.2
30t	230	48	188	78	25	12.4	10	12	6.2
50t	264	52	214	90	30	12.4	10	12	6.2

Specifications and dimensions are subject to change without notice and do not constitute any liability whatsoever.

## Available Accessories

### HM-2-401-1t-50t

- Nickel Plated Alloy steel
- Easy Installation
- Lift-off Protection
- Built-in Horizontal Movement Control

