

Short Description



- Aluminium-alloy IP65 single point load cell
- Colorless anodized
- Suitable for pricing scales, bench scales, etc.
- Maximum platform size: 250 x 350 mm



Test certificate no. TC7868 Revision 1
C of C no R60/2000-NL1-12.52



Certificate no. 11-012

Available Models

Capacity	Accuracy	Full Article Description
3kg	C3/C4/C5	L6D-C3/C4/C5-3kg-0.40B
5kg	C3/C4/C5	L6D-C3/C4/C5-5kg-0.40B
6kg	C3/C4/C5	L6D-C3/C4/C5-6kg-0.40B
8kg	C3/C4/C5	L6D-C3/C4/C5-8kg-0.40B
10kg	C3/C4/C5	L6D-C3/C4/C5-10kg-0.40B
15kg	C3/C4/C5	L6D-C3/C4/C5-15kg-0.40B
20kg	C3/C4/C5	L6D-C3/C4/C5-20kg-0.40B
30kg	C3/C4/C5	L6D-C3/C4/C5-30kg-0.40B
35kg	C3/C4/C5	L6D-C3/C4/C5-35kg-0.40B
40kg	C3/C4/C5	L6D-C3/C4/C5-40kg-0.40B
50kg	C3/C4/C5	L6D-C3/C4/C5-50kg-0.40B

Technical Specifications L6D

Accuracy Class		OIML R60 C3	OIML R60 C4	OIML R60 C5
Output Sensitivity (= FS)	mV/V	2.0 ± 0.2		
Maximum Capacity (E _{max})	kg	3, 5, 6, 8, 10, 15, 20, 30, 35, 40, 50		
Max. Number of Load Cell Intervals	n _{LC}	3000	4000	5000
Ratio of min. LC Verification Interval	$Y = E_{max} / V_{min}$	10000	15000	20000
Combined Error	%FS	≤± 0.020	≤± 0.015	≤± 0.010
Creep Error (30 minutes)	%FS	≤± 0.0245	≤± 0.0184	≤± 0.0147
Temperature Effect on Zero (ZTC)	%FS/10°C	≤± 0.014	≤± 0.012	≤± 0.009
Temperature Effect on Sensitivity (STC)	%FS/10°C	≤± 0.0175	≤± 0.0131	≤± 0.0105
Zero Balance	%FS	≤± 2.0		
Safe Overload	%FS	120		
Ultimate Overload	%FS	150		
Maximum Deflection	mm	3kg: 0.5~0.6	5-15kg: 0.6~0.7	20-50kg: 0.6~0.8
Eccentric Loading Error	%Ld/cm	± 0.002		
Excitation, Recommended Voltage	V	5 ~ 12		
Excitation, Maximum Voltage	V	18		
Input Resistance	Ω	406 ± 6		
Output Resistance	Ω	350 ± 3		
Insulation Resistance (50V)	MΩ	≥5000		
Compensated Temperature	°C	-10 ~ + 40		
Operating Temperature	°C	-35 ~ + 65		
Storage Temperature	°C	-40 ~ + 70		
Load Cell Weight	kg	~0.25		
Element Material		Aluminium		
Ingress Protection (acc. to EN 60529)		IP65		
Recommended Torque on Fixation Bolts	Nm	< 30kg: 6		>30kg: 10

Wiring

Features:

Cable type: Shielded, 4 conductor cable , conductor AWG 26

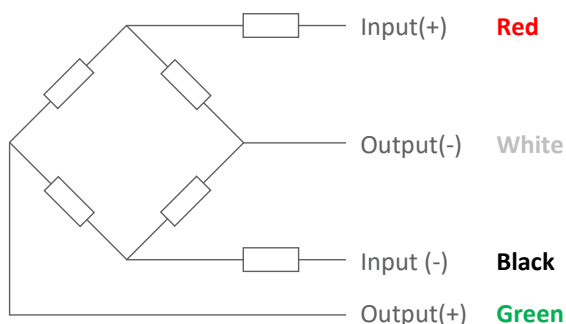
Cable diameter: Ø 3.8mm

Cable length: L = 0.40m ± 0.035m, L1 =0.05 ± 0.005m

Cable jacket: PVC

Shield not connected to element

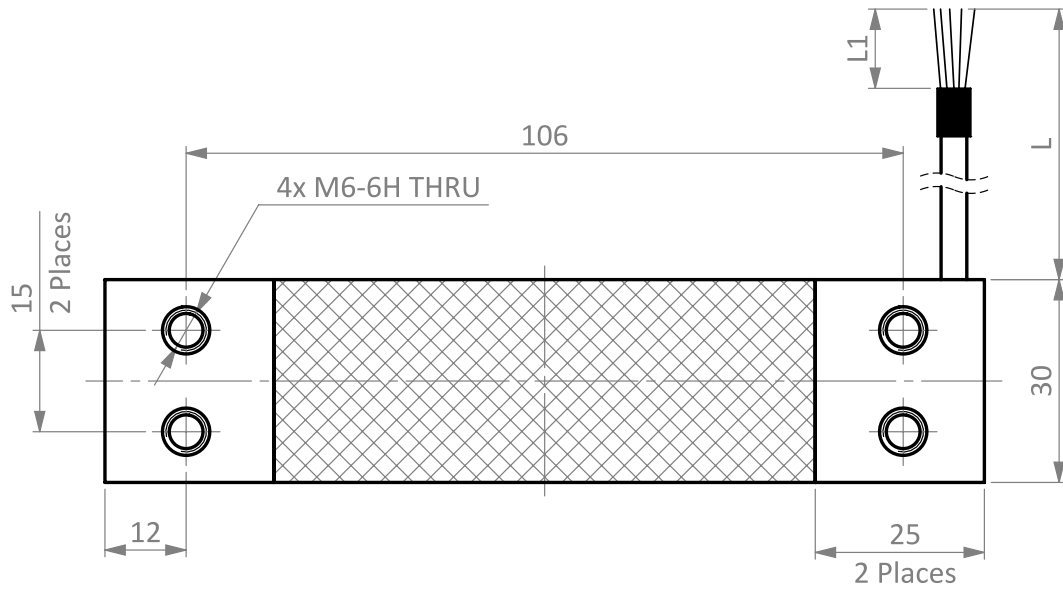
4-Wire Connection Diagram



Specifications and dimensions are subject to change without notice and do not constitute any liability whatsoever.

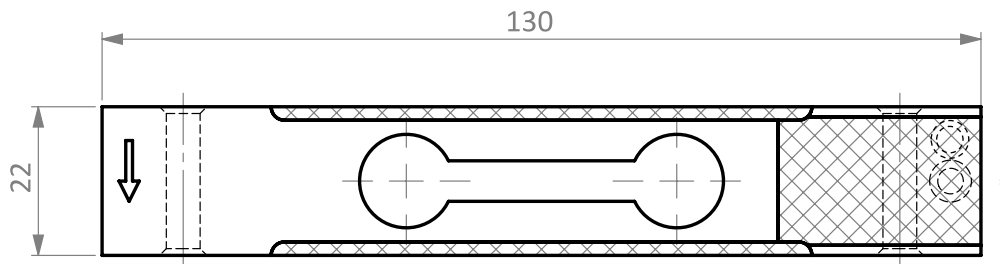
Dimensions in mm

Top View

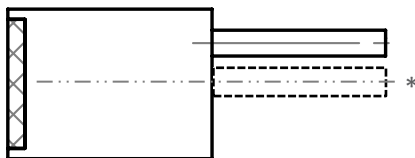


Note: Screws M6 class 8.8, screw rinsed with oil. Torque as in specifications table.

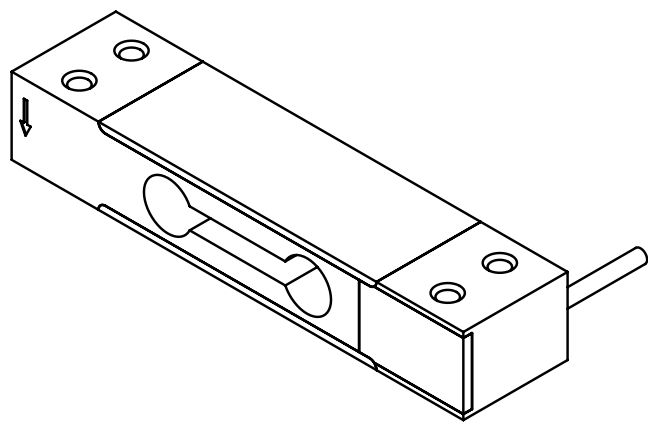
Front View



Side View



Isometric View



*** Disclaimer:** Newer versions of the L6D may feature a different cable location, positioned halfway the height of the load cell. This has no effect on the functionality of the load cell, nor on the specifications as described above.