



Short Description



- Nickel plated alloy steel IP67 on board load cell
- Adhesive sealed
- Suitable for on board weighing

Available Models

Capacity	Accuracy	Full Article Description
15t	D0.1	H10J-15t-30
15t	D0.1	H10J-15t-31

Technical Specifications H10J-15t-30/31

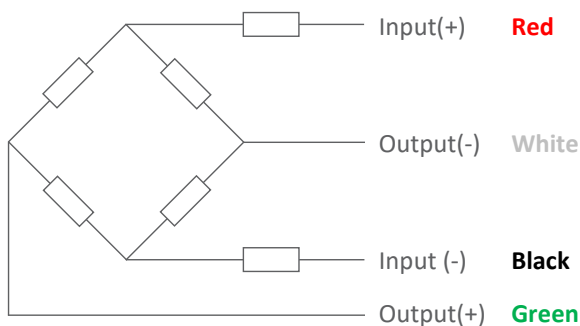
Product Type		-30	-31
Maximum Capacity (E _{max})	t	15t	
Accuracy Class		D0.1	
Output Sensitivity (= FS)	mV/V	0.50 ± 0.05 @ 6t	0.45 ± 0.05 @ 6t
Combined Error	%FS	≤± 1.0	
Creep Error (30 minutes)	%FS	≤± 0.1	
Non-Repeatability	%FS	≤± 0.1	
Temperature Effect on Zero (ZTC)	%FS/10°C	≤± 0.3	
Temperature Effect on Sensitivity (STC)	%FS/10°C	≤± 0.3	
Zero Balance	%FS	≤± 2.0	
Safe Overload	%FS	120	
Ultimate Overload	%FS	150	
Excitation, Recommended Voltage	V	5 ~ 12	
Excitation, Maximum Voltage	V	18	
Input Resistance	Ω	387 ± 25	
Output Resistance	Ω	350 ± 3.5	
Insulation Resistance (50V)	MΩ	≥5000	
Compensated Temperature	°C	-10 ~ + 40	
Operating Temperature	°C	-35 ~ + 65	
Storage Temperature	°C	-40 ~ + 70	
Load Cell Weight	kg	8.2	
Element Material		Alloy Steel	
Ingress Protection (acc. to EN 60529)		IP67	
Recommended Torque on Fixation Bolts	ft. lbs.	1-14-UNS: 720	1-12-UNF: 650
	Nm	M30 / 1.25" UNF: 1350	

Wiring

Features:

Cable type: Shielded, 4 conductor cable , conductor AWG 21
 Cable diameter: Ø 5.0mm
 Cable length: 10m
 Cable jacket: Polyurethane
 Shield not connected to element

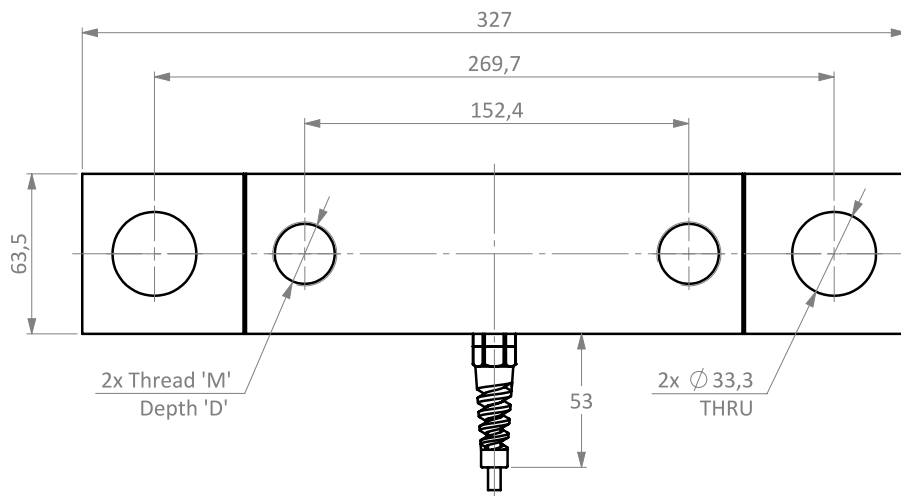
4-Wire Connection Diagram



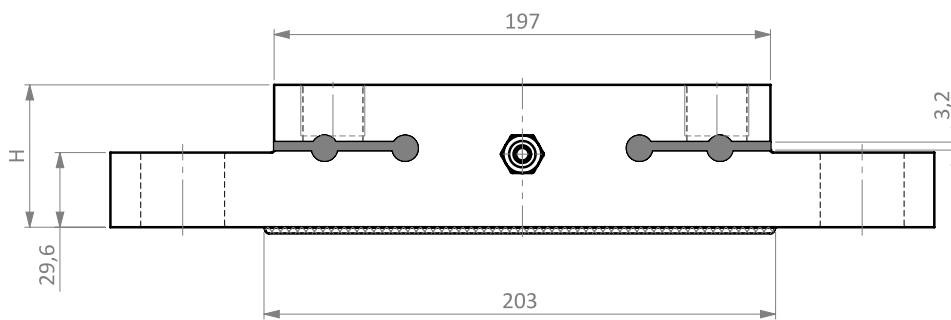
Specifications and dimensions are subject to change without notice and do not constitute any liability whatsoever.

Dimensions in mm

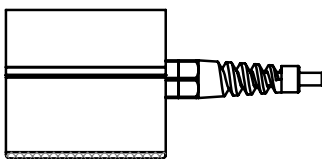
Top View



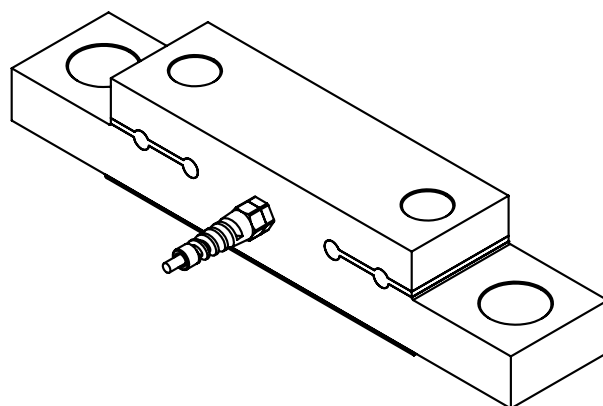
Front View



Side View



Isometric View



Dimension \ Capacity	M	D	H
H10J-15t-30	1-14-UNS	20.3	56.5
H10J-15t-31	1-12-UNF	25.4	62

Specifications and dimensions are subject to change without notice and do not constitute any liability whatsoever.