



Short Description



- Stainless steel IP67 shear beam load cell
- Low profile
- T-end loading hole option (W6-Version)
- High accuracy
- Current calibrated (SC-option)
- Suitable for hopper, floor and other electronic scales



Test certificate no. TC7809 Revision 0
C of C no R60/2000-NL1-10.14 Rev. 1



Certificate No. 12-029

Available Models

Capacity	Accuracy	Full Article Description
200kg	C3 (Excluded from OIML)	B8Q-C3-200kg-3B-SC(-W6)
500kg	C3	B8Q-C3-500kg-3B-SC(-W6)
1000kg	C3	B8Q-C3-1000kg-3B-SC(-W6)
2000kg	C3	B8Q-C3-2000kg-3B-SC(-W6)

Technical Specifications B8Q

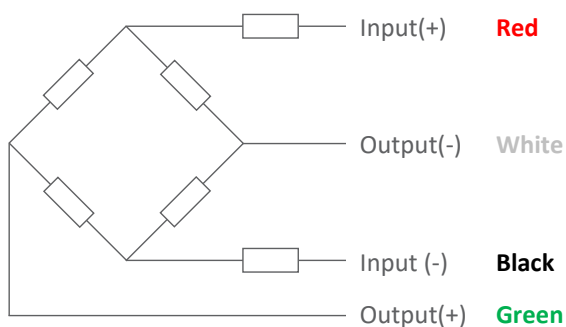
Accuracy Class		C3	OIML R60 C3	
Output Sensitivity (= FS)	mV/V	2.0 ± 0.002		
Maximum Capacity (E _{max})	kg	200	500, 1000, 2000	
Max. Number of Load Cell Intervals	n _{LC}	3000		
Ratio of min. LC Verification Interval	$Y = E_{max} / v_{min}$	10000	15000	
Combined Error	%FS	≤± 0.0230		
Creep Error (30 minutes)	%FS	≤± 0.016		
Temperature Effect on Zero (ZTC)	%FS/10°C	≤± 0.015		
Temperature Effect on Sensitivity (STC)	%FS/10°C	≤± 0.011		
Zero Balance	%FS	≤± 1.0		
Safe Overload	%FS	150		
Ultimate Overload	%FS	300		
Maximum Deflection	mm	0.12 ~ 0.57		
Excitation, Recommended Voltage	V	5 ~ 12		
Excitation, Maximum Voltage	V	18		
Input Resistance	Ω	1000 ± 5 (W6= 380 ± 15)	1106 ± 5 (W6= 380 ± 15)	
Output Resistance	Ω	1000 ± 3 (W6= 350 ± 3)		
Insulation Resistance (50V)	MΩ	≥5000		
Compensated Temperature	°C	-10~ + 40		
Operating Temperature	°C	-35 ~ + 70		
Load Cell Weight	kg	200kg – 500kg: ~0.5	1000kg: 0.6	2000kg: 0.7
Element Material		Stainless Steel		
Ingress Protection (acc. to EN 60529)		IP67		
Recommended Torque on Fixation Bolts	Nm	M12: 75		

Wiring

Features:

Cable type: Shielded, 4 conductor cable , conductor AWG 22
 Cable diameter: Ø 5.0mm
 Cable length: 3m
 Cable jacket: Polyurethane
 Shield not connected to element

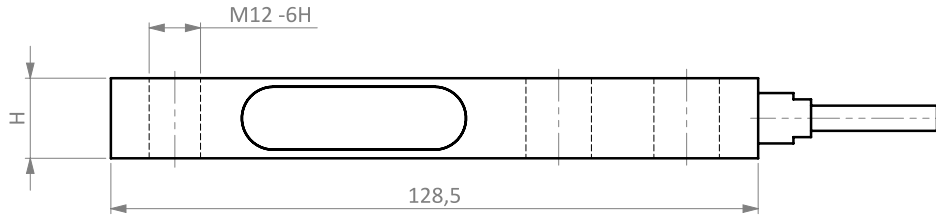
4-Wire Connection Diagram



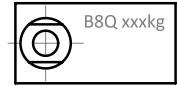
Type B8Q Load Cell

Dimensions in mm

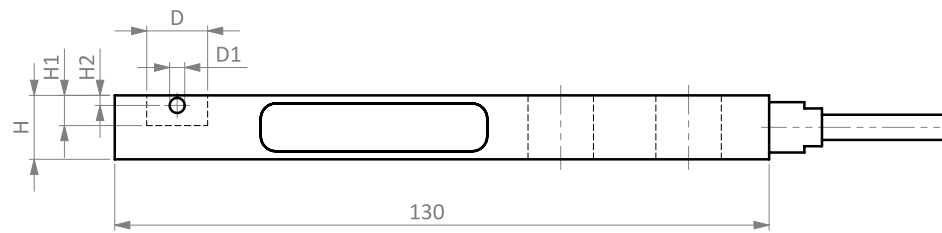
Front View



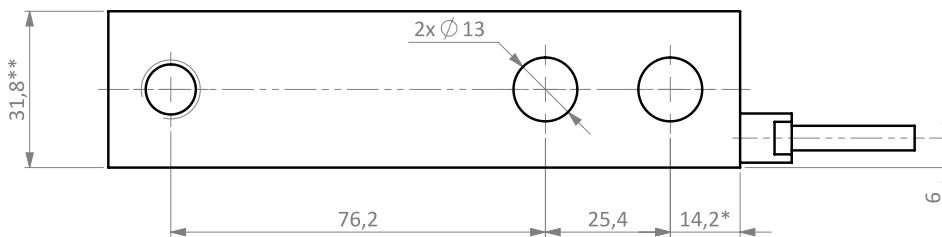
Side View



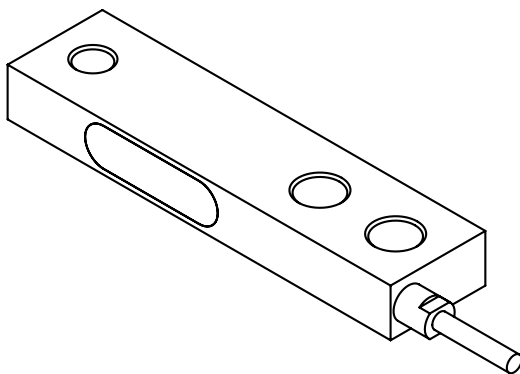
Front View W6 Version



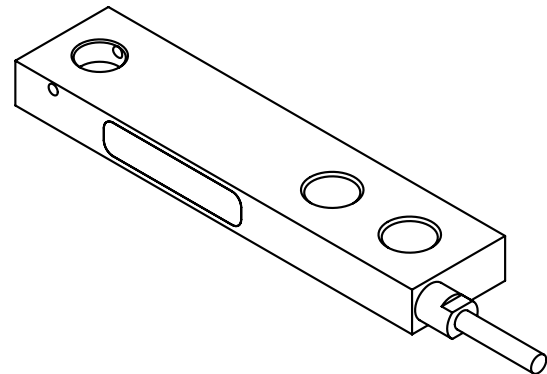
Top View



Isometric View



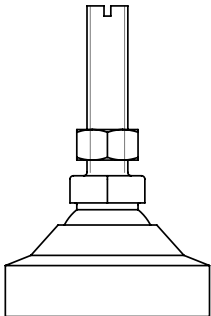
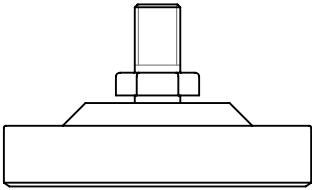
Isometric View W6 Version



Dimension Capacity	H	H (-W6)	H1	H2	ØD	ØD1
200kg	12.7	12.7	6	2.2	12.1	3
500kg	15.9	19.1	9.5	2.8	18.1	4
1000kg	19.1	19.1	9.5	2.8	18.1	4
2000kg	25.4	28.0	9.5	2.8	18.1	4

* = 16mm for all W6 versions
 ** = 30.5mm for all W6 versions

Available Accessories

<p>BJ-8-202-0.5-2t Stainless Steel Foot</p> <ul style="list-style-type: none"> • \varnothing 60 mm and height 92 mm • Stainless Steel • Adjustable height • Automatically centralized inside • Good ability of anti-side loading 	
<p>BJ-8-215-0.5-2t Stainless Steel Foot</p> <ul style="list-style-type: none"> • \varnothing 81 mm and height 48 mm • Easy installation • Adjustable height • Automatically centralized inside • Low installation height • Mainly used for platform scales, floor scales and other electronic weighing devices 	
<p>BJ-8-250-0.2-2t Stainless Steel Foot</p> <ul style="list-style-type: none"> • Stainless Steel • \varnothing 60 mm (200kg) and \varnothing 80 mm (0.5 – 2t) • Easy installation • Suitable for W6 option • Height adjustable (30 ~ 37 mm for 200 kg; 41 ~ 51 mm from 500 kg) 	